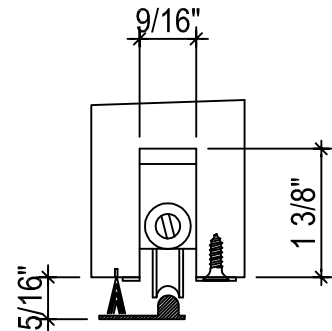
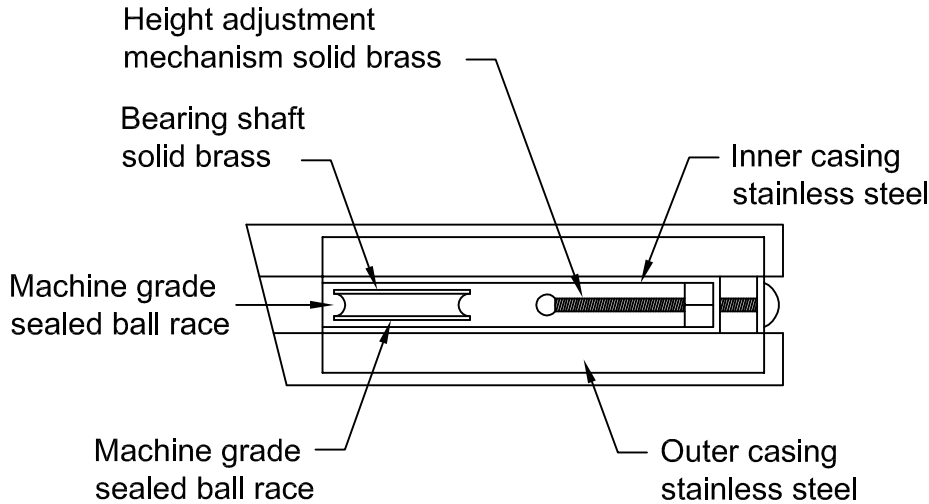


TT657 Timberline Sheave

FEATURES:

- * Maximum load - 441lb per door
- * Heavy Duty height adjustable sheave with Manganese Bronze tyre and Stainless steel housing.
- * Suitable for external use.
- * Especially suited to timber Doors and Windows.
- * Hard wearing Manganese Bronze Track.



TT612 Bronze Track



SLIDING DOOR TRACK SYSTEMS

TT657 & TT612

M.J.N. McNAUGHTON LTD

Scale: N.T.S.

PO Box 27 061, Mt. Roskill, New Zealand
Email: mjinmcaughton@xtra.co.nz

T: +64.9.620.9059
F: +64.9.620.7585

Date: 10/26/05

Page: DS04